

Single Zone Low Voltage Monitor

PTE0255

PAE255 (PCB only)

The JVA ZLM1 is a single zone low voltage electric fence monitor. The ZLM1 may be used by itself or in conjunction with a number of high voltage security electric fence energizers. The ZLM1 monitors a single loop of fence wire reaching out up to several hundred meters long, to detect someone tampering with the fence by cutting or shorting the wires using intrinsically safe, isolated Extra-Low Voltage (ELV) DC.

The ZLM1 will generate an alarm when one of the low voltage wires:

- Is cut (Open Circuit)
- Shorted to ground
- Shorted to a high voltage fence wire
- Cross-coupled to another low voltage wire

Benefits

- Monitors using safe 50V DC pulses
- Control and program via LCD keypad or Touch keypad
- Monitor via PC^[1] (using Perimeter Patrol software)
- Powered from 12V DC external source
- 1 control inputs
- 1 form C relay outputs with many programmable functions

Specifications:

Maximum Fence Voltage		50 Volts
Size	Height:	135 mm
	Width:	128 mm
	Depth:	40 mm
Weight	Product:	230 g
	Packed:	255 g

Package Contents:

- PAE255 (Single Zone Low Voltage Monitor PCB)
- PTE0255 Enclosure (non-sealed)

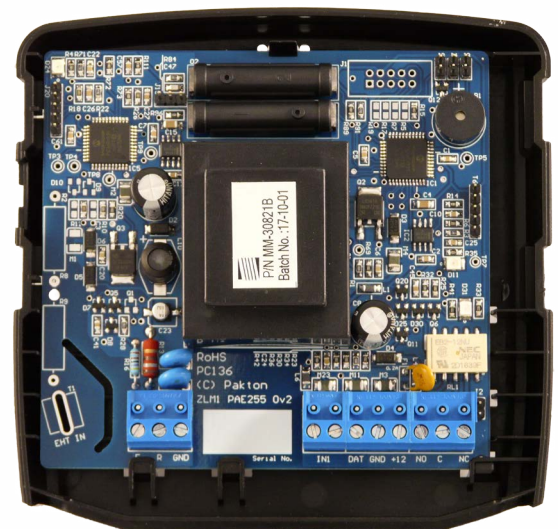
Warranty:

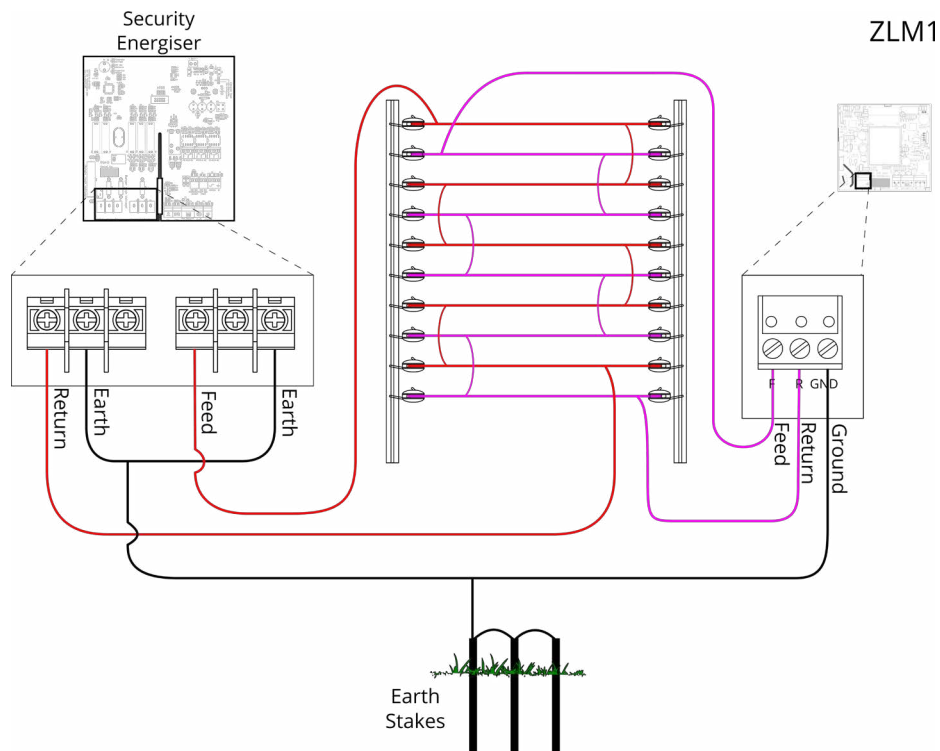
3 Year Manufacturer Warranty (excluding lightning damage)

For more information:

See the website at: <http://www.jva-fence.com.au/>

[1]PAE051, PAE223 or PAE100 serial data adaptor required.





Dimensions:

